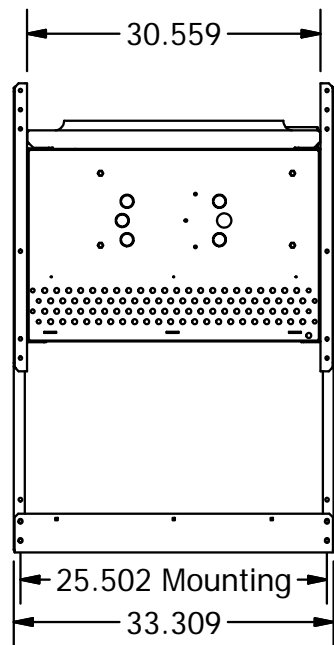
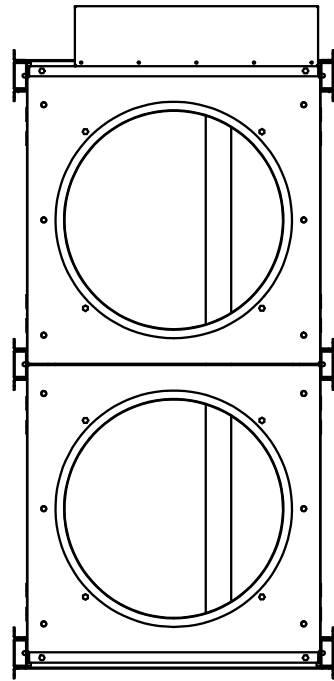
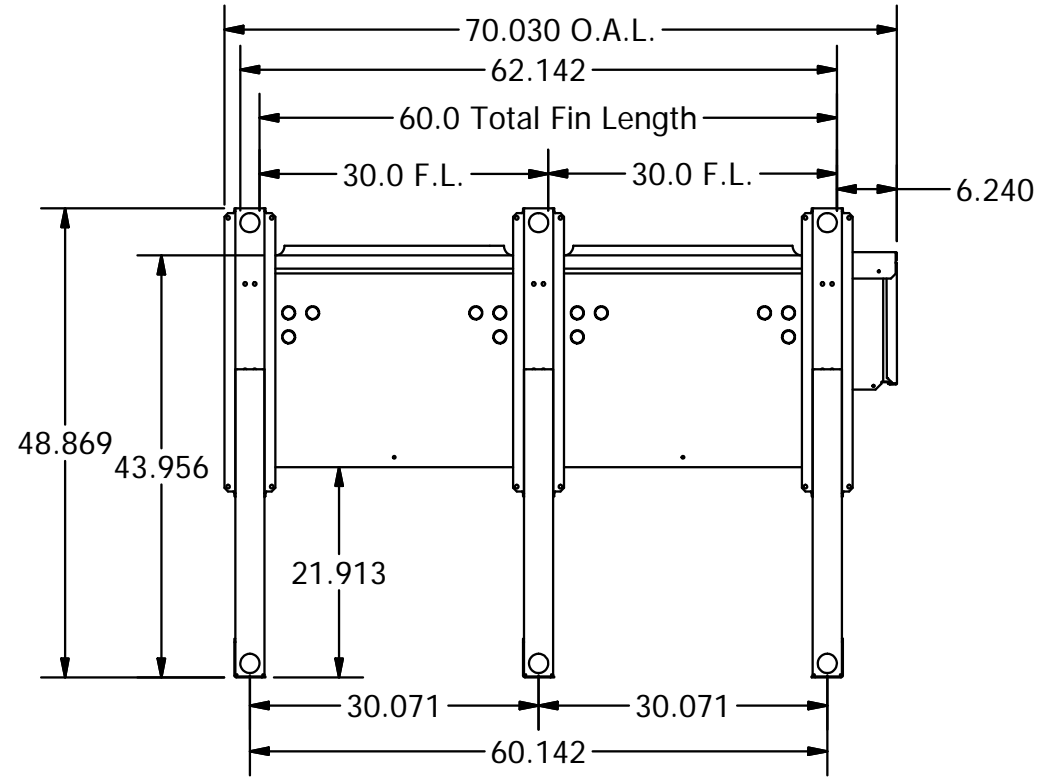


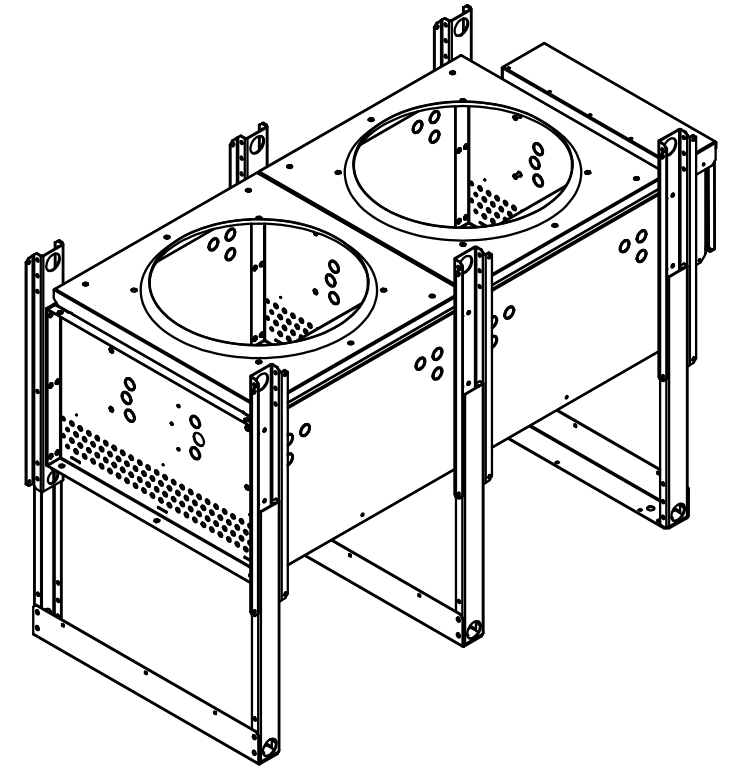
Top View



Header View



Side View



DRAWN sholland	7/28/2010	TITLE		
CHECKED				
QA				
MFG				
APPROVED		SIZE B	DWG NO double unit assembly	REV
		SCALE		SHEET 1 OF 1