



SUBMITTAL SCHEDULE & DATA

Indirect Gas-Fired Indoor or Outdoor Duct Furnaces

Job Name: DX Aire 2020 LP Duct Furn Pricing
Location:
Submitted by: Tuc Bosch

Date:
Engineer:
Architect:
Contractor:

	Unit Tag		
Model Number	DFP 75TFRNP10C1	DFP100TFRNP10C1	DFP125TFRNP10C1
Quantity of Units ¹	1	1	1
Btu/Hr Input (each)	75,000	100,000	125,000
Btu/Hr Output (each)	60,750	81,000	101,250
CFM	1,023	1,364	1,705
Altitude	0-2000	0-2000	0-2000
Temperature Rise (°F) (each)	55.0	55.0	55.0
Airside Pressure Drop ("W.C.) (each)	0.08	0.04	0.06
Gas Type	Propane with Retry Ignition	Propane with Retry Ignition	Propane with Retry Ignition
Gas Control Type	Single Stage	Single Stage	Single Stage
Supply Voltage ²	230/60/1	230/60/1	230/60/1
Control Voltage	24 V - 40 VA	24 V - 40 VA	24 V - 40 VA
Heat Exch/Burner/Drip Pan Mat.	409 Stainless Steel	409 Stainless Steel	409 Stainless Steel
Unit Amps	0.83	0.83	0.83
Operating Weights Each (lbs)			
Base Model			
Total with Options/Accys ³	102	126	126

Notes:

1. For units configured as "Electronic Modulation – Multiple Furnaces", Quantity of Units represents the quantity of multiple furnace sets.
2. All units are single phase voltage. For units used on 3-phase supply voltage systems, the units will be wired line-to-line on one phase only.
3. See attached pages for Options and Accessories included.



SUBMITTAL SCHEDULE & DATA

Indirect Gas-Fired Indoor or Outdoor Duct Furnaces

Job Name: DX Aire 2020 LP Duct Furn Pricing
Location:
Submitted by: Tuc Bosch

Date:
Engineer:
Architect:
Contractor:

	Unit Tag		
Model Number	DFP150TFRNP10C1	DFP175TFRNP10C1	DFP200TFRNP10C1
Quantity of Units ¹	1	1	1
Btu/Hr Input (each)	150,000	175,000	200,000
Btu/Hr Output (each)	121,500	141,750	162,000
CFM	2,045	2,386	2,727
Altitude	0-2000	0-2000	0-2000
Temperature Rise (°F) (each)	55.0	55.0	55.0
Airside Pressure Drop ("W.C.) (each)	0.07	0.09	0.08
Gas Type	Propane with Retry Ignition	Propane with Retry Ignition	Propane with Retry Ignition
Gas Control Type	Single Stage	Single Stage	Single Stage
Supply Voltage ²	230/60/1	230/60/1	230/60/1
Control Voltage	24 V - 40 VA	24 V - 40 VA	24 V - 40 VA
Heat Exch/Burner/Drip Pan Mat.	409 Stainless Steel	409 Stainless Steel	409 Stainless Steel
Unit Amps	0.83	0.83	1.47
Operating Weights Each (lbs)			
Base Model			
Total with Options/Access ³	153	153	188

Notes:

1. For units configured as "Electronic Modulation – Multiple Furnaces", Quantity of Units represents the quantity of multiple furnace sets.
2. All units are single phase voltage. For units used on 3-phase supply voltage systems, the units will be wired line-to-line on one phase only.
3. See attached pages for Options and Accessories included.



SUBMITTAL SCHEDULE & DATA

Indirect Gas-Fired Indoor or Outdoor Duct Furnaces

Job Name: DX Aire 2020 LP Duct Furn Pricing
Location:
Submitted by: Tuc Bosch

Date:
Engineer:
Architect:
Contractor:

	Unit Tag		
Model Number	DFP225TFRNP10C1	DFP250TFRNP10C1	DFP300TFRNP10C1
Quantity of Units ¹	1	1	1
Btu/Hr Input (each)	225,000	250,000	300,000
Btu/Hr Output (each)	182,250	202,500	243,000
CFM	3,068	3,409	4,091
Altitude	0-2000	0-2000	0-2000
Temperature Rise (°F) (each)	55.0	55.0	55.0
Airside Pressure Drop ("W.C.) (each)	0.10	0.12	0.18
Gas Type	Propane with Retry Ignition	Propane with Retry Ignition	Propane with Retry Ignition
Gas Control Type	Single Stage	Single Stage	Single Stage
Supply Voltage ²	230/60/1	230/60/1	230/60/1
Control Voltage	24 V - 40 VA	24 V - 40 VA	24 V - 40 VA
Heat Exch/Burner/Drip Pan Mat.	409 Stainless Steel	409 Stainless Steel	409 Stainless Steel
Unit Amps	1.47	1.47	1.47
Operating Weights Each (lbs)			
Base Model			
Total with Options/Accys ³	188	226	226

Notes:

1. For units configured as "Electronic Modulation – Multiple Furnaces", Quantity of Units represents the quantity of multiple furnace sets.
2. All units are single phase voltage. For units used on 3-phase supply voltage systems, the units will be wired line-to-line on one phase only.
3. See attached pages for Options and Accessories included.



SUBMITTAL SCHEDULE & DATA

Indirect Gas-Fired Indoor or Outdoor Duct Furnaces

Job Name: DX Aire 2020 LP Duct Furn Pricing
Location:
Submitted by: Tuc Bosch

Date:
Engineer:
Architect:
Contractor:

	Unit Tag		
Model Number	DFP350TFRNP10C1	DFP400TFRNP10C1	
Quantity of Units ¹	1	1	
Btu/Hr Input (each)	350,000	400,000	
Btu/Hr Output (each)	283,500	324,000	
CFM	4,773	5,455	
Altitude	0-2000	0-2000	
Temperature Rise (°F) (each)	55.0	55.0	
Airside Pressure Drop ("W.C.) (each)	0.11	0.15	
Gas Type	Propane with Retry Ignition	Propane with Retry Ignition	
Gas Control Type	Single Stage	Single Stage	
Supply Voltage ²	230/60/1	230/60/1	
Control Voltage	24 V - 40 VA	24 V - 40 VA	
Heat Exch/Burner/Drip Pan Mat.	409 Stainless Steel	409 Stainless Steel	
Unit Amps	1.47	1.47	
Operating Weights Each (lbs)			
Base Model			
Total with Options/Accys ³	297	297	

Notes:

1. For units configured as "Electronic Modulation – Multiple Furnaces", Quantity of Units represents the quantity of multiple furnace sets.
2. All units are single phase voltage. For units used on 3-phase supply voltage systems, the units will be wired line-to-line on one phase only.
3. See attached pages for Options and Accessories included.



AccuSpec V4.29

SUBMITTAL SCHEDULE & DATA

Indirect Gas-Fired Duct Furnace/Make-Up Air Units

Model	Description	Qty	Tag
DFP 75TFRNP10C1	Indoor Duct Furnace	1	
	DFP 75TFRNP10C1	1	
#32680	Air Flow Proving Switch	1	
DFP100TFRNP10C1	Indoor Duct Furnace	1	
	DFP100TFRNP10C1	1	
#32680	Air Flow Proving Switch	1	
DFP125TFRNP10C1	Indoor Duct Furnace	1	
	DFP125TFRNP10C1	1	
#32680	Air Flow Proving Switch	1	
DFP150TFRNP10C1	Indoor Duct Furnace	1	
	DFP150TFRNP10C1	1	
#32680	Air Flow Proving Switch	1	
DFP175TFRNP10C1	Indoor Duct Furnace	1	
	DFP175TFRNP10C1	1	
#32680	Air Flow Proving Switch	1	
DFP200TFRNP10C1	Indoor Duct Furnace	1	
	DFP200TFRNP10C1	1	
#32680	Air Flow Proving Switch	1	
DFP225TFRNP10C1	Indoor Duct Furnace	1	
	DFP225TFRNP10C1	1	
#32680	Air Flow Proving Switch	1	
DFP250TFRNP10C1	Indoor Duct Furnace	1	
	DFP250TFRNP10C1	1	
#32680	Air Flow Proving Switch	1	
DFP300TFRNP10C1	Indoor Duct Furnace	1	
	DFP300TFRNP10C1	1	
#32680	Air Flow Proving Switch	1	
DFP350TFRNP10C1	Indoor Duct Furnace	1	
	DFP350TFRNP10C1	1	
#32680	Air Flow Proving Switch	1	
DFP400TFRNP10C1	Indoor Duct Furnace	1	
	DFP400TFRNP10C1	1	
#32680	Air Flow Proving Switch	1	



DFP MODEL NOMENCLATURE

Tag:

1	2	3	4,5,6	7	8	9	10	11	12	13	14	15
D	F	P	75	T	F	R	N	P	1	0	C	1

1 - Product Type (PT)

D - Indoor Duct Furnace

2 - Unit Configuration (UC)

F - Furnace

3 - Venting (V)

P - Power

4,5,6 - Furnace Input Rating (MBH)

75 - 75,000 Btu/Hr Input

7 - Heat Exchanger/Burner/Drip Pan Material (HE)

T - 409 Stainless Steel

8 - Development Sequence Designation (DS)

F - Single Stage

9 - Access Side (AS) (as viewed with air blowing toward you)

R - Right Hand

10 - Air Temperature Rise (ATR)

Non-Specific - 20-60F (baffle field removed)

11- Gas Type (GT)

P - Propane with continuous retry ignition controller

12 - Gas Valve (GV)

1 - Single Stage

13- Additional Safety Switches (SS)

0 - No Additional Switches (Premium)

14 - Supply Voltage (SV)

C - 230/60/1 (Unit Voltage is 230V/60Hz/1ph)

15 - Transformer (TR)

1 - 40 VA



AccuSpec V4.29

GENERAL PERFORMANCE DATA



Intertek

General Performance Data (Per Furnace)

Tag:

Model **DFP75**

At 0' Elevation

Btu/Hr. Input	75,000
Btu/Hr Output	60,750
Minimum Air Temp Rise (°F)	20.0
Maximum Air Temp Rise (°F)	99.9
Minimum CFM	563
Maximum CFM	2813

As Configured at 0-2000 Ft. Elevation

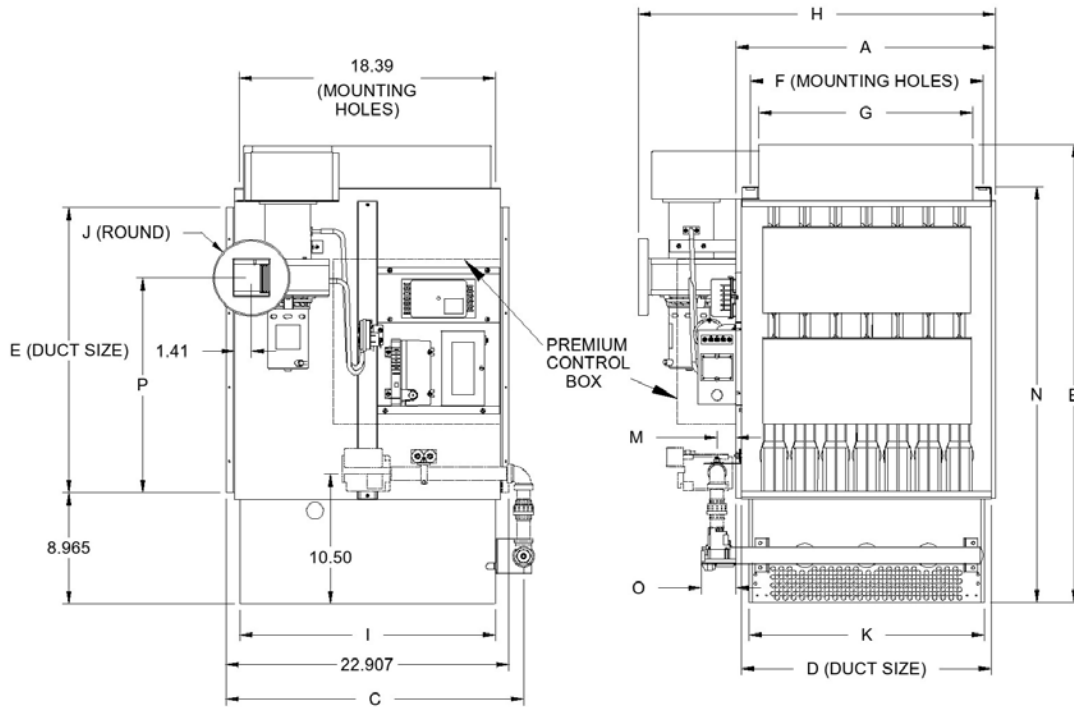
Btu/Hr. Input	75,000
Btu/Hr Output	60,750
Configured Air Temp Rise (°F)	55.0
Configured Airflow	1,023



AccuSpec V4.29

DIMENSIONS – UNIT

Model DFP75 Dimensions



Tag:

Dimensions (inches)

A	15.41
B	33.05
C	22.43
D	15.21
E	19.07
F	14.09
G	12.65
H	23.75
I	17.83
J	4
K	14.55
M	2.01
N	29.65
O (max. approx.)	5.6
P	14.03
Gas Connection Pipe Size	1/2"
Base Model Weight (lbs) (each)	85
Premium	

Note: This is a general submittal drawing showing right hand access. Left hand access units will be rotated.



DFP MODEL NOMENCLATURE

Tag:

1	2	3	4,5,6	7	8	9	10	11	12	13	14	15
D	F	P	100	T	F	R	N	P	1	0	C	1

1 - Product Type (PT)

D - Indoor Duct Furnace

2 - Unit Configuration (UC)

F - Furnace

3 - Venting (V)

P - Power

4,5,6 - Furnace Input Rating (MBH)

100 - 100,000 Btu/Hr Input

7 - Heat Exchanger/Burner/Drip Pan Material (HE)

T - 409 Stainless Steel

8 - Development Sequence Designation (DS)

F - Single Stage

9 - Access Side (AS) (as viewed with air blowing toward you)

R - Right Hand

10 - Air Temperature Rise (ATR)

Non-Specific - 20-60F (baffle field removed)

11- Gas Type (GT)

P - Propane with continuous retry ignition controller

12 - Gas Valve (GV)

1 - Single Stage

13- Additional Safety Switches (SS)

0 - No Additional Switches (Premium)

14 - Supply Voltage (SV)

C - 230/60/1 (Unit Voltage is 230V/60Hz/1ph)

15 - Transformer (TR)

1 - 40 VA



AccuSpec V4.29

GENERAL PERFORMANCE DATA



Intertek

General Performance Data (Per Furnace)

Tag:

Model **DFP100**

At 0' Elevation

Btu/Hr. Input	100,000
Btu/Hr Output	81,000
Minimum Air Temp Rise (°F)	20.0
Maximum Air Temp Rise (°F)	100.0
Minimum CFM	750
Maximum CFM	3750

As Configured at 0-2000 Ft. Elevation

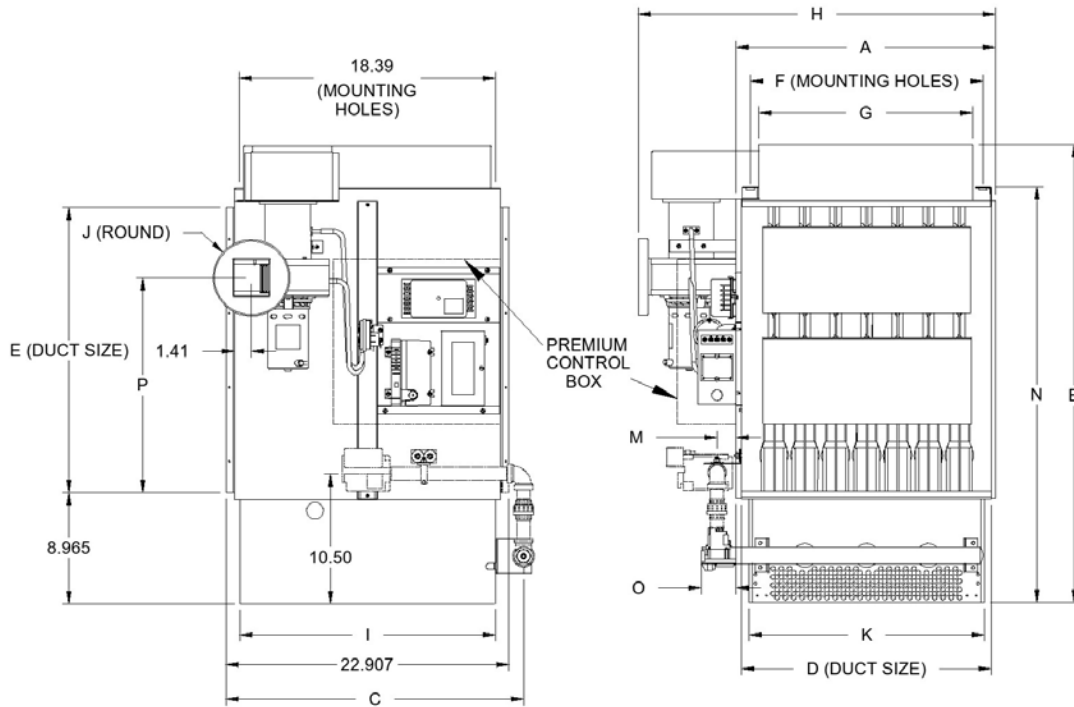
Btu/Hr. Input	100,000
Btu/Hr Output	81,000
Configured Air Temp Rise (°F)	55.0
Configured Airflow	1,364



AccuSpec V4.29

DIMENSIONS – UNIT

Model DFP100 Dimensions



Tag:

Dimensions (inches)

A	17.9
B	33.05
C	22.43
D	17.7
E	19.07
F	16.59
G	15.14
H	26.26
I	17.83
J	4
K	17.04
M	2.01
N	29.65
O (max. approx.)	5.6
P	14.03
Gas Connection Pipe Size	1/2"
Base Model Weight (lbs) (each)	107
Premium	

Note: This is a general submittal drawing showing right hand access. Left hand access units will be rotated.



DFP MODEL NOMENCLATURE

Tag:

1	2	3	4,5,6	7	8	9	10	11	12	13	14	15
D	F	P	125	T	F	R	N	P	1	0	C	1

1 - Product Type (PT)

D - Indoor Duct Furnace

2 - Unit Configuration (UC)

F - Furnace

3 - Venting (V)

P - Power

4,5,6 - Furnace Input Rating (MBH)

125 - 125,000 Btu/Hr Input

7 - Heat Exchanger/Burner/Drip Pan Material (HE)

T - 409 Stainless Steel

8 - Development Sequence Designation (DS)

F - Single Stage

9 - Access Side (AS) (as viewed with air blowing toward you)

R - Right Hand

10 - Air Temperature Rise (ATR)

Non-Specific - 20-60F (baffle field removed)

11- Gas Type (GT)

P - Propane with continuous retry ignition controller

12 - Gas Valve (GV)

1 - Single Stage

13- Additional Safety Switches (SS)

0 - No Additional Switches (Premium)

14 - Supply Voltage (SV)

C - 230/60/1 (Unit Voltage is 230V/60Hz/1ph)

15 - Transformer (TR)

1 - 40 VA



AccuSpec V4.29

GENERAL PERFORMANCE DATA



Intertek

General Performance Data (Per Furnace)

Tag:

Model **DFP125**

At 0' Elevation

Btu/Hr. Input	125,000
Btu/Hr Output	101,250
Minimum Air Temp Rise (°F)	20.0
Maximum Air Temp Rise (°F)	99.9
Minimum CFM	938
Maximum CFM	4688

As Configured at 0-2000 Ft. Elevation

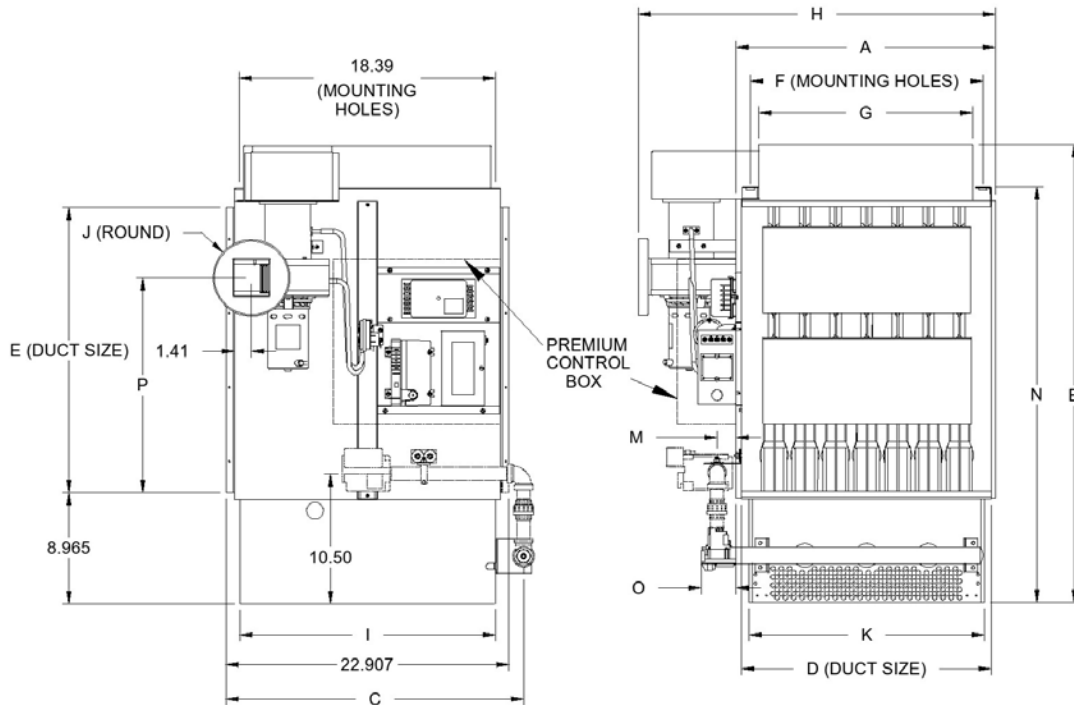
Btu/Hr. Input	125,000
Btu/Hr Output	101,250
Configured Air Temp Rise (°F)	55.0
Configured Airflow	1,705



AccuSpec V4.29

DIMENSIONS – UNIT

Model DFP125 Dimensions



Tag:

Dimensions (inches)

A	17.9
B	33.05
C	22.43
D	17.7
E	19.07
F	16.59
G	15.14
H	26.26
I	17.83
J	4
K	17.04
M	2.01
N	29.65
O (max. approx.)	5.6
P	14.03
Gas Connection Pipe Size	1/2"
Base Model Weight (lbs) (each)	107
Premium	

Note: This is a general submittal drawing showing right hand access. Left hand access units will be rotated.



DFP MODEL NOMENCLATURE

Tag:

1	2	3	4,5,6	7	8	9	10	11	12	13	14	15
D	F	P	150	T	F	R	N	P	1	0	C	1

1 - Product Type (PT)

D - Indoor Duct Furnace

2 - Unit Configuration (UC)

F - Furnace

3 - Venting (V)

P - Power

4,5,6 - Furnace Input Rating (MBH)

150 - 150,000 Btu/Hr Input

7 - Heat Exchanger/Burner/Drip Pan Material (HE)

T - 409 Stainless Steel

8 - Development Sequence Designation (DS)

F - Single Stage

9 - Access Side (AS) (as viewed with air blowing toward you)

R - Right Hand

10 - Air Temperature Rise (ATR)

Non-Specific - 20-60F (baffle field removed)

11- Gas Type (GT)

P - Propane with continuous retry ignition controller

12 - Gas Valve (GV)

1 - Single Stage

13- Additional Safety Switches (SS)

0 - No Additional Switches (Premium)

14 - Supply Voltage (SV)

C - 230/60/1 (Unit Voltage is 230V/60Hz/1ph)

15 - Transformer (TR)

1 - 40 VA



AccuSpec V4.29

GENERAL PERFORMANCE DATA



Intertek

General Performance Data (Per Furnace)

Tag:

Model **DFP150**

At 0' Elevation

Btu/Hr. Input	150,000
Btu/Hr Output	121,500
Minimum Air Temp Rise (°F)	20.0
Maximum Air Temp Rise (°F)	100.0
Minimum CFM	1125
Maximum CFM	5625

As Configured at 0-2000 Ft. Elevation

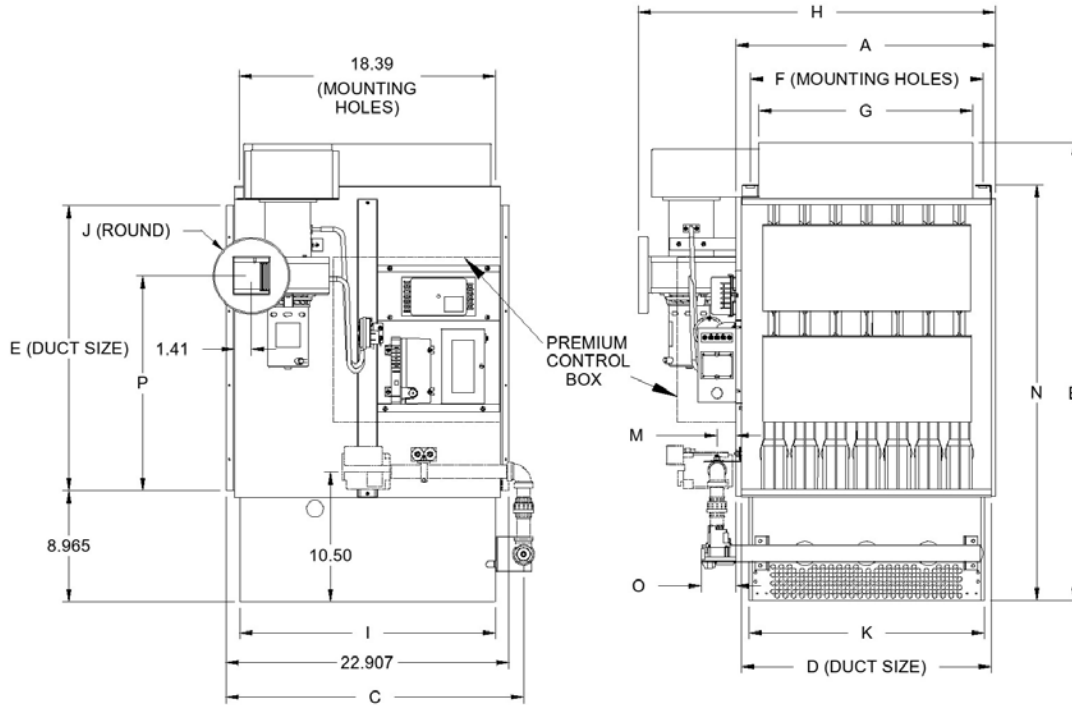
Btu/Hr. Input	150,000
Btu/Hr Output	121,500
Configured Air Temp Rise (°F)	55.0
Configured Airflow	2,045



AccuSpec V4.29

DIMENSIONS – UNIT

Model DFP150 Dimensions



Tag:

Dimensions (inches)

A	22.16
B	33.05
C	22.43
D	21.96
E	19.07
F	20.85
G	19.41
H	30.51
I	17.83
J	4
K	21.31
M	2.01
N	29.65
O (max. approx.)	5.6
P	14.03
Gas Connection Pipe Size	1/2"
Base Model Weight (lbs) (each)	133
Premium	

Note: This is a general submittal drawing showing right hand access. Left hand access units will be rotated.



DFP MODEL NOMENCLATURE

Tag:

1	2	3	4,5,6	7	8	9	10	11	12	13	14	15
D	F	P	175	T	F	R	N	P	1	0	C	1

1 - Product Type (PT)

D - Indoor Duct Furnace

2 - Unit Configuration (UC)

F - Furnace

3 - Venting (V)

P - Power

4,5,6 - Furnace Input Rating (MBH)

175 - 175,000 Btu/Hr Input

7 - Heat Exchanger/Burner/Drip Pan Material (HE)

T - 409 Stainless Steel

8 - Development Sequence Designation (DS)

F - Single Stage

9 - Access Side (AS) (as viewed with air blowing toward you)

R - Right Hand

10 - Air Temperature Rise (ATR)

Non-Specific - 20-60F (baffle field removed)

11- Gas Type (GT)

P - Propane with continuous retry ignition controller

12 - Gas Valve (GV)

1 - Single Stage

13- Additional Safety Switches (SS)

0 - No Additional Switches (Premium)

14 - Supply Voltage (SV)

C - 230/60/1 (Unit Voltage is 230V/60Hz/1ph)

15 - Transformer (TR)

1 - 40 VA



AccuSpec V4.29

GENERAL PERFORMANCE DATA



Intertek

General Performance Data (Per Furnace)

Tag:

Model **DFP175**

At 0' Elevation

Btu/Hr. Input	175,000
Btu/Hr Output	141,750
Minimum Air Temp Rise (°F)	20.0
Maximum Air Temp Rise (°F)	100.0
Minimum CFM	1312
Maximum CFM	6563

As Configured at 0-2000 Ft. Elevation

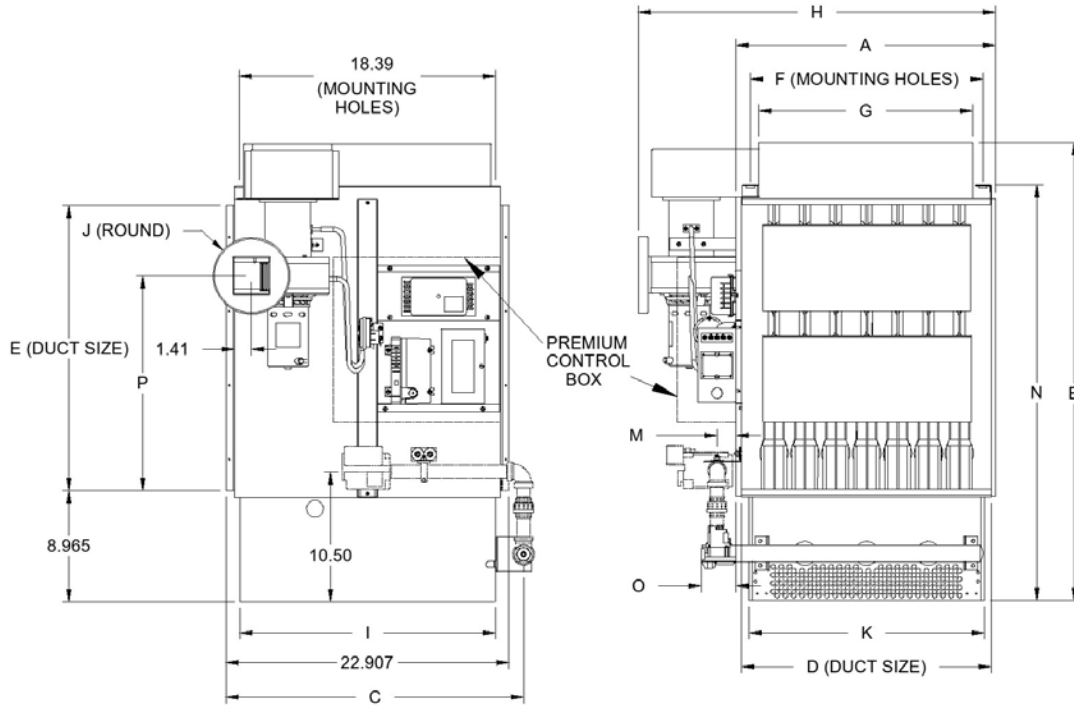
Btu/Hr. Input	175,000
Btu/Hr Output	141,750
Configured Air Temp Rise (°F)	55.0
Configured Airflow	2,386



AccuSpec V4.29

DIMENSIONS – UNIT

Model DFP175 Dimensions



Tag:
Dimensions (inches)

A	22.16
B	33.05
C	22.43
D	21.96
E	19.07
F	20.85
G	19.41
H	30.51
I	17.83
J	4
K	21.31
M	2.01
N	29.65
O (max. approx.)	5.6
P	14.03
Gas Connection Pipe Size	1/2"
Base Model Weight (lbs) (each)	133
Premium	

Note: This is a general submittal drawing showing right hand access. Left hand access units will be rotated.



DFP MODEL NOMENCLATURE

Tag:

1	2	3	4,5,6	7	8	9	10	11	12	13	14	15
D	F	P	200	T	F	R	N	P	1	0	C	1

1 - Product Type (PT)

D - Indoor Duct Furnace

2 - Unit Configuration (UC)

F - Furnace

3 - Venting (V)

P - Power

4,5,6 - Furnace Input Rating (MBH)

200 - 200,000 Btu/Hr Input

7 - Heat Exchanger/Burner/Drip Pan Material (HE)

T - 409 Stainless Steel

8 - Development Sequence Designation (DS)

F - Single Stage

9 - Access Side (AS) (as viewed with air blowing toward you)

R - Right Hand

10 - Air Temperature Rise (ATR)

Non-Specific - 20-60F (baffle field removed)

11- Gas Type (GT)

P - Propane with continuous retry ignition controller

12 - Gas Valve (GV)

1 - Single Stage

13- Additional Safety Switches (SS)

0 - No Additional Switches (Premium)

14 - Supply Voltage (SV)

C - 230/60/1 (Unit Voltage is 230V/60Hz/1ph)

15 - Transformer (TR)

1 - 40 VA



AccuSpec V4.29

GENERAL PERFORMANCE DATA



Intertek

General Performance Data (Per Furnace)

Tag:

Model **DFP200**

At 0' Elevation

Btu/Hr. Input	200,000
Btu/Hr Output	162,000
Minimum Air Temp Rise (°F)	20.0
Maximum Air Temp Rise (°F)	100.0
Minimum CFM	1500
Maximum CFM	7500

As Configured at 0-2000 Ft. Elevation

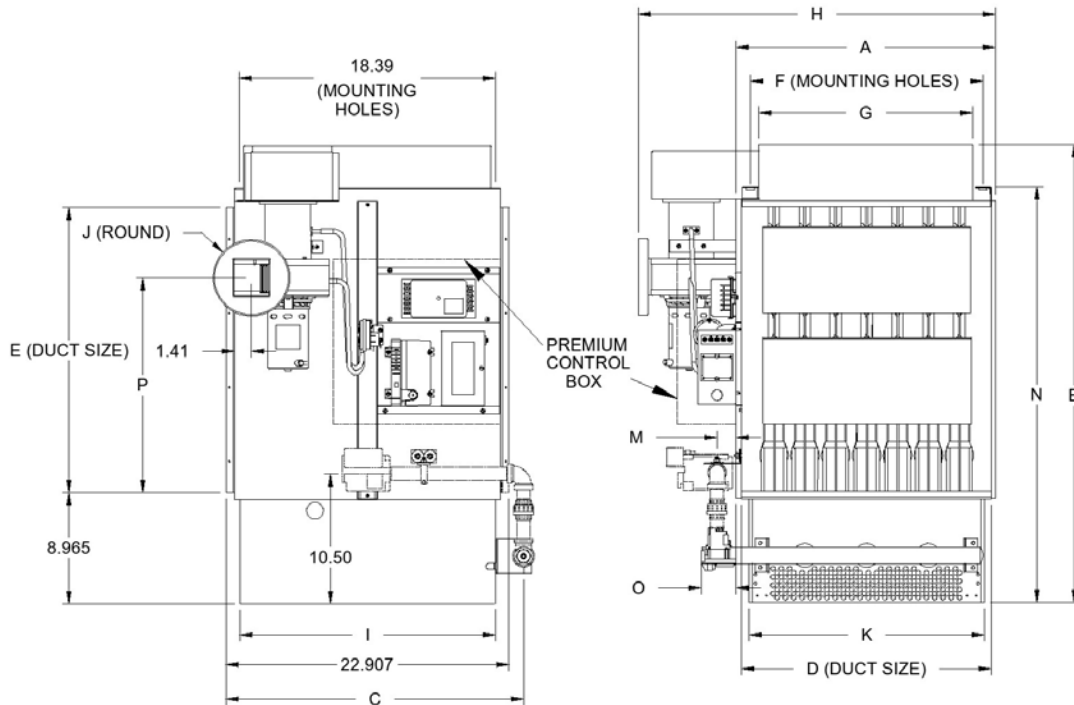
Btu/Hr. Input	200,000
Btu/Hr Output	162,000
Configured Air Temp Rise (°F)	55.0
Configured Airflow	2,727



AccuSpec V4.29

DIMENSIONS – UNIT

Model DFP200 Dimensions



Tag:
Dimensions (inches)

A	24.29
B	37.05
C	24.09
D	24.09
E	23.07
F	22.98
G	21.6
H	32.78
I	20.68
J	6
K	23.26
M	1.94
N	33.65
O (max. approx.)	6.8
P	17.4
Gas Connection Pipe Size	1/2"
Base Model Weight (lbs) (each)	167
Premium	

Note: This is a general submittal drawing showing right hand access. Left hand access units will be rotated.



DFP MODEL NOMENCLATURE

Tag:

1	2	3	4,5,6	7	8	9	10	11	12	13	14	15
D	F	P	225	T	F	R	N	P	1	0	C	1

1 - Product Type (PT)

D - Indoor Duct Furnace

2 - Unit Configuration (UC)

F - Furnace

3 - Venting (V)

P - Power

4,5,6 - Furnace Input Rating (MBH)

225 - 225,000 Btu/Hr Input

7 - Heat Exchanger/Burner/Drip Pan Material (HE)

T - 409 Stainless Steel

8 - Development Sequence Designation (DS)

F - Single Stage

9 - Access Side (AS) (as viewed with air blowing toward you)

R - Right Hand

10 - Air Temperature Rise (ATR)

Non-Specific - 20-60F (baffle field removed)

11- Gas Type (GT)

P - Propane with continuous retry ignition controller

12 - Gas Valve (GV)

1 - Single Stage

13- Additional Safety Switches (SS)

0 - No Additional Switches (Premium)

14 - Supply Voltage (SV)

C - 230/60/1 (Unit Voltage is 230V/60Hz/1ph)

15 - Transformer (TR)

1 - 40 VA



AccuSpec V4.29

GENERAL PERFORMANCE DATA



Intertek

General Performance Data (Per Furnace)

Tag:

Model **DFP225**

At 0' Elevation

Btu/Hr. Input	225,000
Btu/Hr Output	182,250
Minimum Air Temp Rise (°F)	20.0
Maximum Air Temp Rise (°F)	100.0
Minimum CFM	1687
Maximum CFM	8438

As Configured at 0-2000 Ft. Elevation

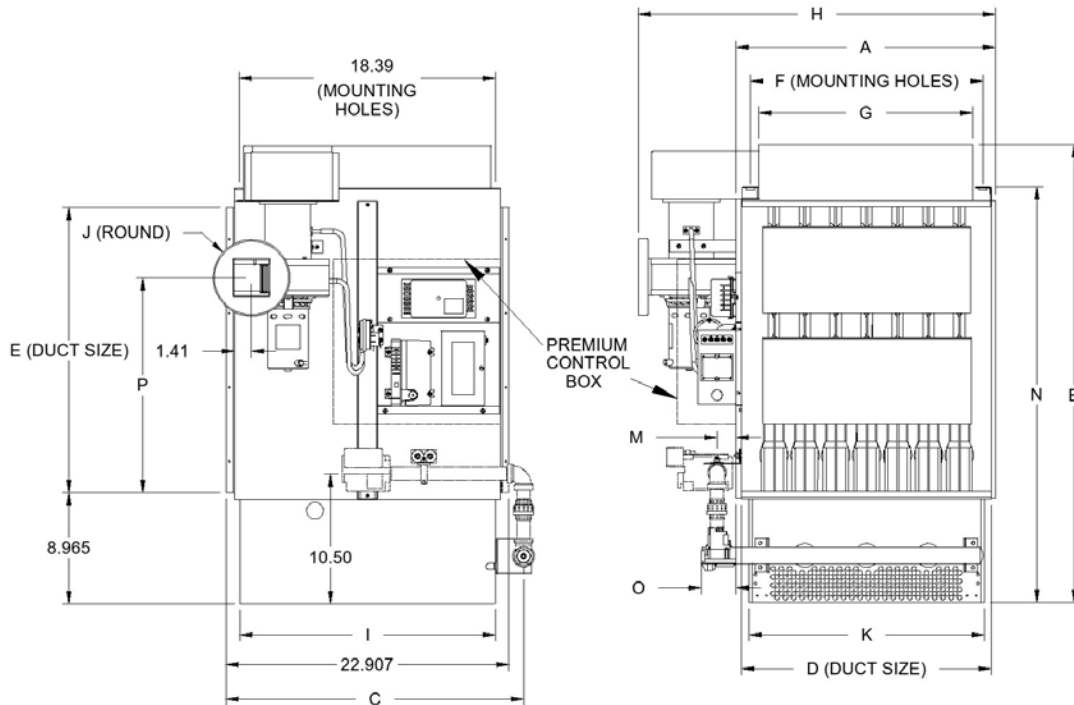
Btu/Hr. Input	225,000
Btu/Hr Output	182,250
Configured Air Temp Rise (°F)	55.0
Configured Airflow	3,068



AccuSpec V4.29

DIMENSIONS – UNIT

Model DFP225 Dimensions



Tag:

Dimensions (inches)

A	24.29
B	37.05
C	24.09
D	24.09
E	23.07
F	22.98
G	21.6
H	32.78
I	20.68
J	6
K	23.26
M	1.94
N	33.65
O (max. approx.)	6.2
P	17.4
Gas Connection Pipe Size	3/4"
Base Model Weight (lbs) (each)	167
Premium	

Note: This is a general submittal drawing showing right hand access. Left hand access units will be rotated.



DFP MODEL NOMENCLATURE

Tag:

1	2	3	4,5,6	7	8	9	10	11	12	13	14	15
D	F	P	250	T	F	R	N	P	1	0	C	1

1 - Product Type (PT)

D - Indoor Duct Furnace

2 - Unit Configuration (UC)

F - Furnace

3 - Venting (V)

P - Power

4,5,6 - Furnace Input Rating (MBH)

250 - 250,000 Btu/Hr Input

7 - Heat Exchanger/Burner/Drip Pan Material (HE)

T - 409 Stainless Steel

8 - Development Sequence Designation (DS)

F - Single Stage

9 - Access Side (AS) (as viewed with air blowing toward you)

R - Right Hand

10 - Air Temperature Rise (ATR)

Non-Specific - 20-60F (baffle field removed)

11- Gas Type (GT)

P - Propane with continuous retry ignition controller

12 - Gas Valve (GV)

1 - Single Stage

13- Additional Safety Switches (SS)

0 - No Additional Switches (Premium)

14 - Supply Voltage (SV)

C - 230/60/1 (Unit Voltage is 230V/60Hz/1ph)

15 - Transformer (TR)

1 - 40 VA



AccuSpec V4.29

GENERAL PERFORMANCE DATA



Intertek

General Performance Data (Per Furnace)

Tag:

Model **DFP250**

At 0' Elevation

Btu/Hr. Input	250,000
Btu/Hr Output	202,500
Minimum Air Temp Rise (°F)	20.0
Maximum Air Temp Rise (°F)	100.0
Minimum CFM	1875
Maximum CFM	9375

As Configured at 0-2000 Ft. Elevation

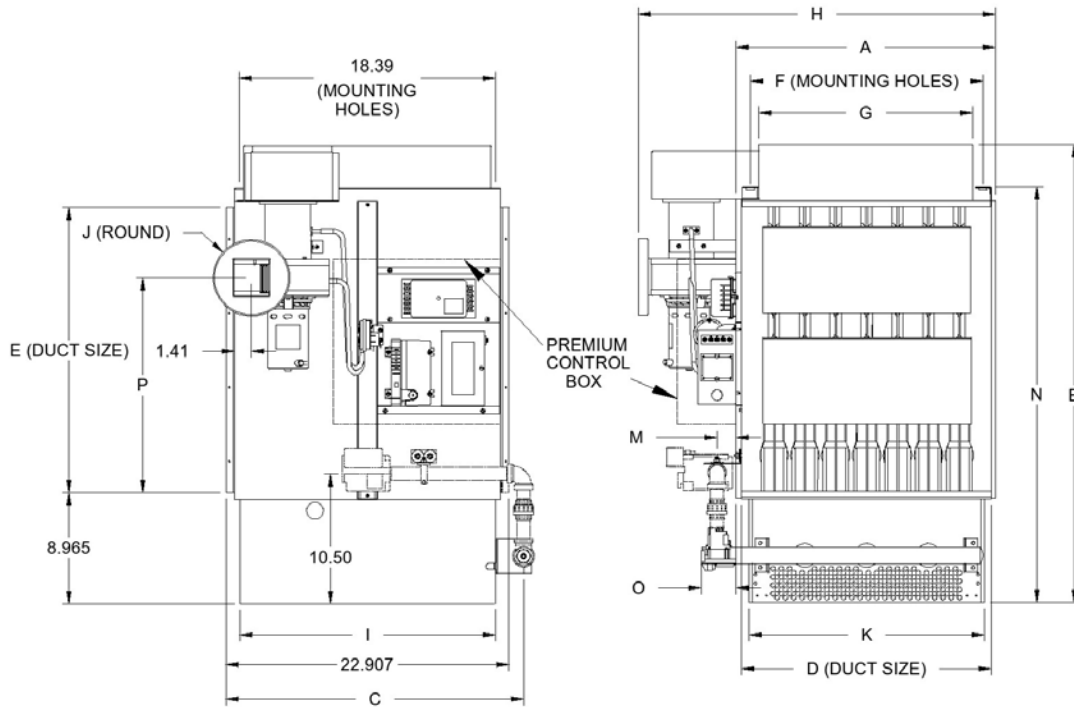
Btu/Hr. Input	250,000
Btu/Hr Output	202,500
Configured Air Temp Rise (°F)	55.0
Configured Airflow	3,409



AccuSpec V4.29

DIMENSIONS – UNIT

Model DFP250 Dimensions



Tag:
Dimensions (inches)

A	27.33
B	37.05
C	24.09
D	27.13
E	23.07
F	26.01
G	24.6
H	35.79
I	20.68
J	6
K	26.44
M	1.94
N	33.65
O (max. approx.)	6.2
P	17.4
Gas Connection Pipe Size	3/4"
Base Model Weight (lbs) (each)	193
Premium	

Note: This is a general submittal drawing showing right hand access. Left hand access units will be rotated.



DFP MODEL NOMENCLATURE

Tag:

1	2	3	4,5,6	7	8	9	10	11	12	13	14	15
D	F	P	300	T	F	R	N	P	1	0	C	1

1 - Product Type (PT)

D - Indoor Duct Furnace

2 - Unit Configuration (UC)

F - Furnace

3 - Venting (V)

P - Power

4,5,6 - Furnace Input Rating (MBH)

300 - 300,000 Btu/Hr Input

7 - Heat Exchanger/Burner/Drip Pan Material (HE)

T - 409 Stainless Steel

8 - Development Sequence Designation (DS)

F - Single Stage

9 - Access Side (AS) (as viewed with air blowing toward you)

R - Right Hand

10 - Air Temperature Rise (ATR)

Non-Specific - 20-60F (baffle field removed)

11- Gas Type (GT)

P - Propane with continuous retry ignition controller

12 - Gas Valve (GV)

1 - Single Stage

13- Additional Safety Switches (SS)

0 - No Additional Switches (Premium)

14 - Supply Voltage (SV)

C - 230/60/1 (Unit Voltage is 230V/60Hz/1ph)

15 - Transformer (TR)

1 - 40 VA



AccuSpec V4.29

GENERAL PERFORMANCE DATA



Intertek

General Performance Data (Per Furnace)

Tag:

Model **DFP300**

At 0' Elevation

Btu/Hr. Input	300,000
Btu/Hr Output	243,000
Minimum Air Temp Rise (°F)	20.0
Maximum Air Temp Rise (°F)	100.0
Minimum CFM	2250
Maximum CFM	11250

As Configured at 0-2000 Ft. Elevation

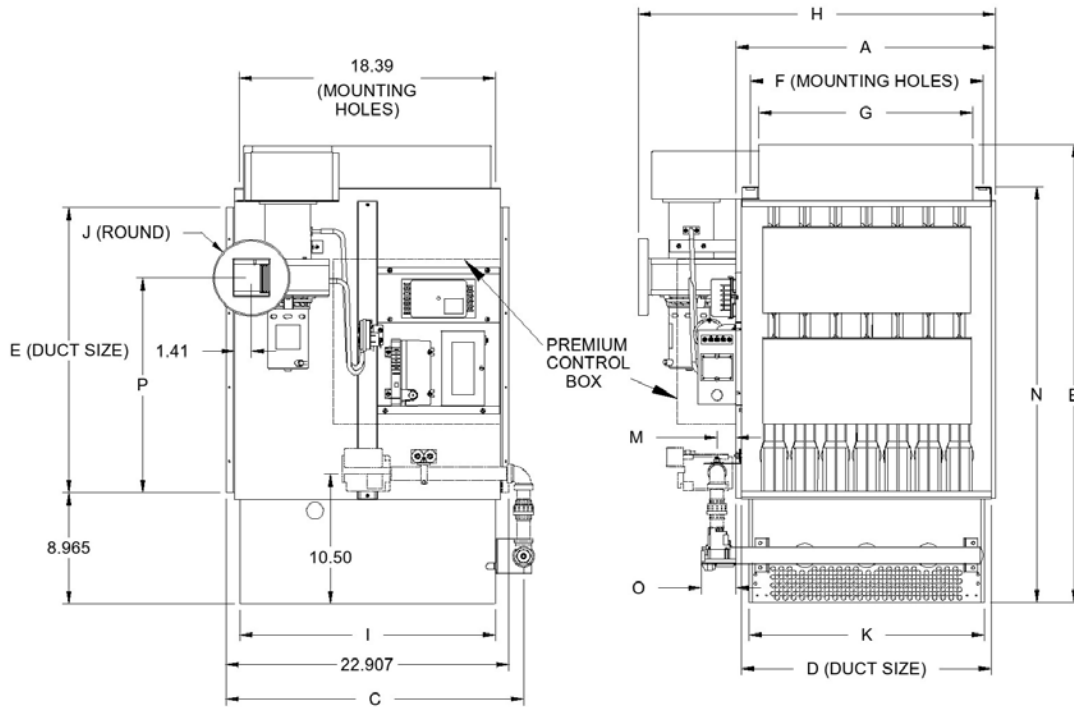
Btu/Hr. Input	300,000
Btu/Hr Output	243,000
Configured Air Temp Rise (°F)	55.0
Configured Airflow	4,091



AccuSpec V4.29

DIMENSIONS – UNIT

Model DFP300 Dimensions



Tag:
Dimensions (inches)

A	27.33
B	37.05
C	24.09
D	27.13
E	23.07
F	26.01
G	24.6
H	35.79
I	20.68
J	6
K	26.44
M	1.94
N	33.65
O (max. approx.)	6.2
P	17.4
Gas Connection Pipe Size	3/4"
Base Model Weight (lbs) (each)	193
Premium	

Note: This is a general submittal drawing showing right hand access. Left hand access units will be rotated.



DFP MODEL NOMENCLATURE

Tag:

1	2	3	4,5,6	7	8	9	10	11	12	13	14	15
D	F	P	350	T	F	R	N	P	1	0	C	1

1 - Product Type (PT)

D - Indoor Duct Furnace

2 - Unit Configuration (UC)

F - Furnace

3 - Venting (V)

P - Power

4,5,6 - Furnace Input Rating (MBH)

350 - 350,000 Btu/Hr Input

7 - Heat Exchanger/Burner/Drip Pan Material (HE)

T - 409 Stainless Steel

8 - Development Sequence Designation (DS)

F - Single Stage

9 - Access Side (AS) (as viewed with air blowing toward you)

R - Right Hand

10 - Air Temperature Rise (ATR)

Non-Specific - 20-60F (baffle field removed)

11- Gas Type (GT)

P - Propane with continuous retry ignition controller

12 - Gas Valve (GV)

1 - Single Stage

13- Additional Safety Switches (SS)

0 - No Additional Switches (Premium)

14 - Supply Voltage (SV)

C - 230/60/1 (Unit Voltage is 230V/60Hz/1ph)

15 - Transformer (TR)

1 - 40 VA



AccuSpec V4.29

GENERAL PERFORMANCE DATA



Intertek

General Performance Data (Per Furnace)

Tag:

Model **DFP350**

At 0' Elevation

Btu/Hr. Input	350,000
Btu/Hr Output	283,500
Minimum Air Temp Rise (°F)	20.0
Maximum Air Temp Rise (°F)	100.0
Minimum CFM	2625
Maximum CFM	13125

As Configured at 0-2000 Ft. Elevation

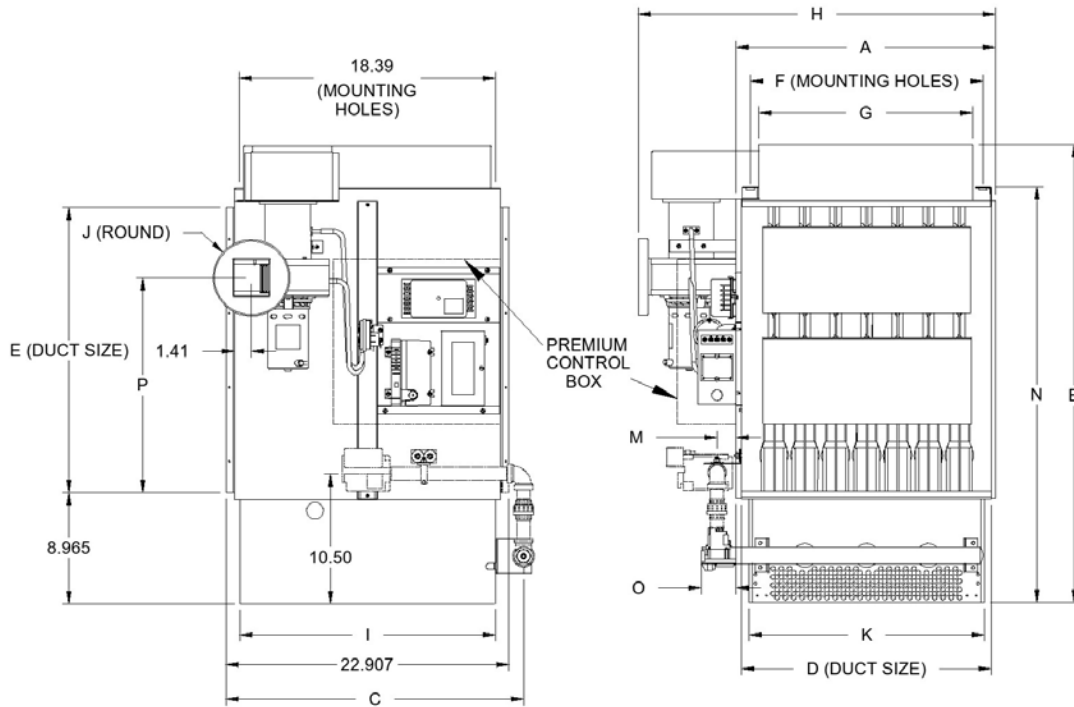
Btu/Hr. Input	350,000
Btu/Hr Output	283,500
Configured Air Temp Rise (°F)	55.0
Configured Airflow	4,773



AccuSpec V4.29

DIMENSIONS – UNIT

Model DFP350 Dimensions



Tag:
Dimensions (inches)

A	38.83
B	37.05
C	24.09
D	38.63
E	23.07
F	37.51
G	36.14
H	47.32
I	20.68
J	6
K	37.8
M	1.94
N	33.65
O (max. approx.)	8.3
P	17.4
Gas Connection Pipe Size	3/4"
Base Model Weight (lbs) (each)	263
Premium	

Note: This is a general submittal drawing showing right hand access. Left hand access units will be rotated.



DFP MODEL NOMENCLATURE

Tag:

1	2	3	4,5,6	7	8	9	10	11	12	13	14	15
D	F	P	400	T	F	R	N	P	1	0	C	1

1 - Product Type (PT)

D - Indoor Duct Furnace

2 - Unit Configuration (UC)

F - Furnace

3 - Venting (V)

P - Power

4,5,6 - Furnace Input Rating (MBH)

400 - 400,000 Btu/Hr Input

7 - Heat Exchanger/Burner/Drip Pan Material (HE)

T - 409 Stainless Steel

8 - Development Sequence Designation (DS)

F - Single Stage

9 - Access Side (AS) (as viewed with air blowing toward you)

R - Right Hand

10 - Air Temperature Rise (ATR)

Non-Specific - 20-60F (baffle field removed)

11- Gas Type (GT)

P - Propane with continuous retry ignition controller

12 - Gas Valve (GV)

1 - Single Stage

13- Additional Safety Switches (SS)

0 - No Additional Switches (Premium)

14 - Supply Voltage (SV)

C - 230/60/1 (Unit Voltage is 230V/60Hz/1ph)

15 - Transformer (TR)

1 - 40 VA



AccuSpec V4.29

GENERAL PERFORMANCE DATA



Intertek

General Performance Data (Per Furnace)

Tag:

Model **DFP400**

At 0' Elevation

Btu/Hr. Input	400,000
Btu/Hr Output	324,000
Minimum Air Temp Rise (°F)	20.0
Maximum Air Temp Rise (°F)	100.0
Minimum CFM	3000
Maximum CFM	15000

As Configured at 0-2000 Ft. Elevation

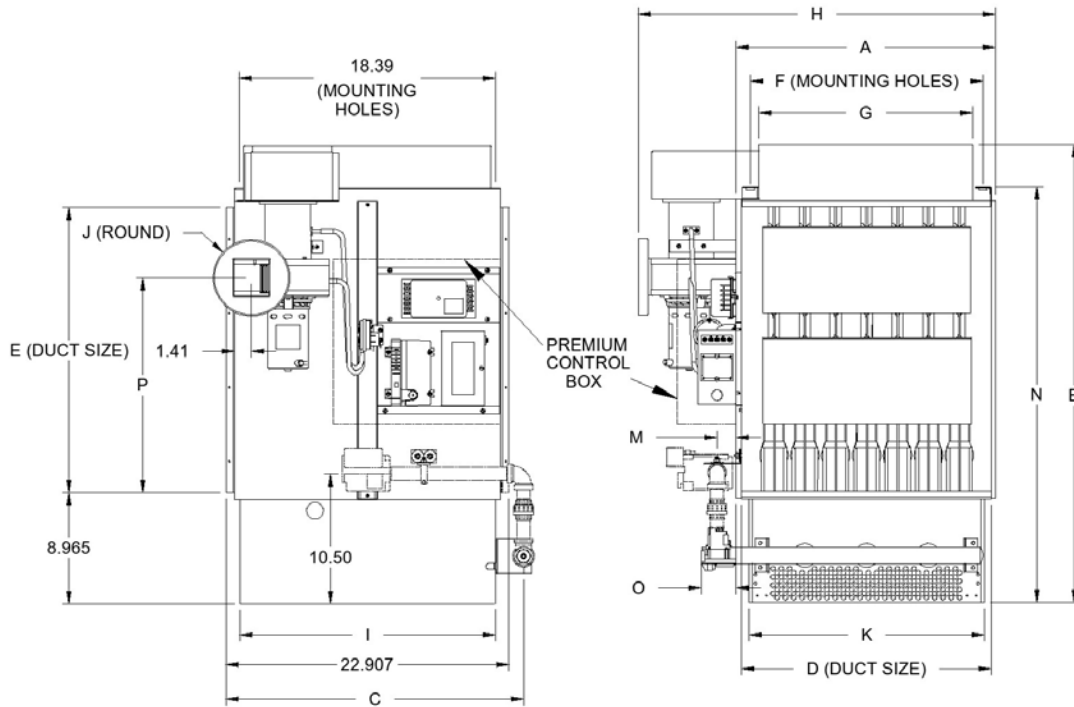
Btu/Hr. Input	400,000
Btu/Hr Output	324,000
Configured Air Temp Rise (°F)	55.0
Configured Airflow	5,455



AccuSpec V4.29

DIMENSIONS – UNIT

Model DFP400 Dimensions



Tag:
Dimensions (inches)

A	38.83
B	37.05
C	24.09
D	38.63
E	23.07
F	37.51
G	36.14
H	47.32
I	20.68
J	6
K	37.8
M	1.94
N	33.65
O (max. approx.)	8.6
P	17.4
Gas Connection Pipe Size	3/4"
Base Model Weight (lbs) (each)	263
Premium	

Note: This is a general submittal drawing showing right hand access. Left hand access units will be rotated.