

PROJECT: _____	UNIT TAG: _____	QUANTITY: _____
REPRESENTATIVE: _____	TYPE OF SERVICE: _____	DATE: _____
ENGINEER: _____	SUBMITTED BY: _____	DATE: _____
CONTRACTOR: _____	APPROVED BY: _____	DATE: _____
	ORDER NO.: _____	DATE: _____

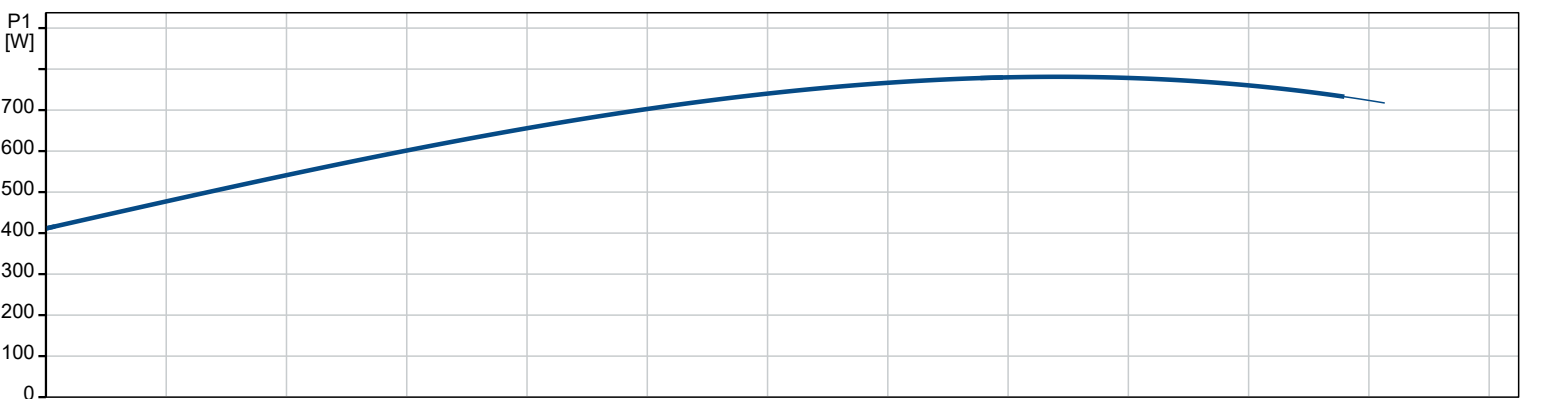
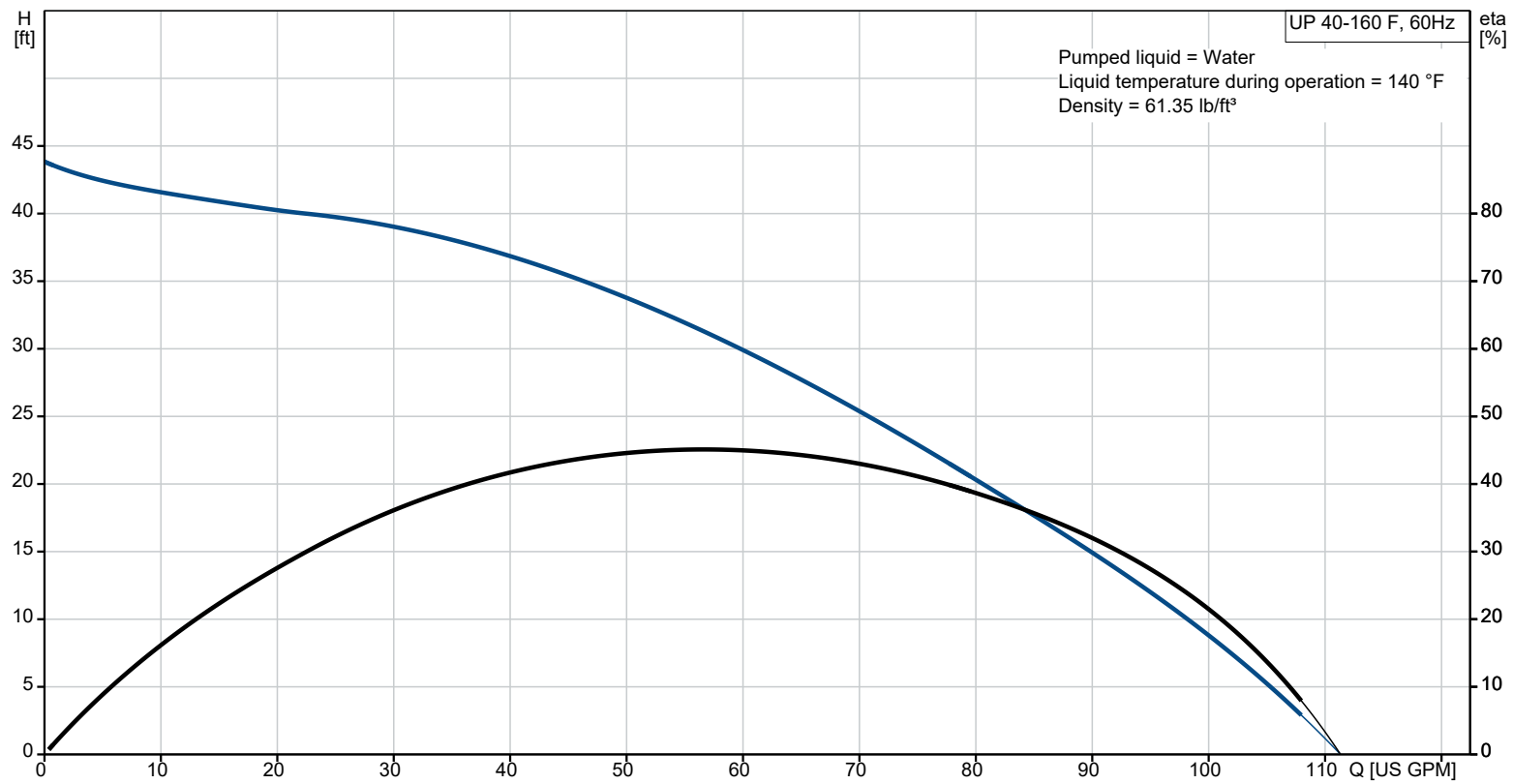


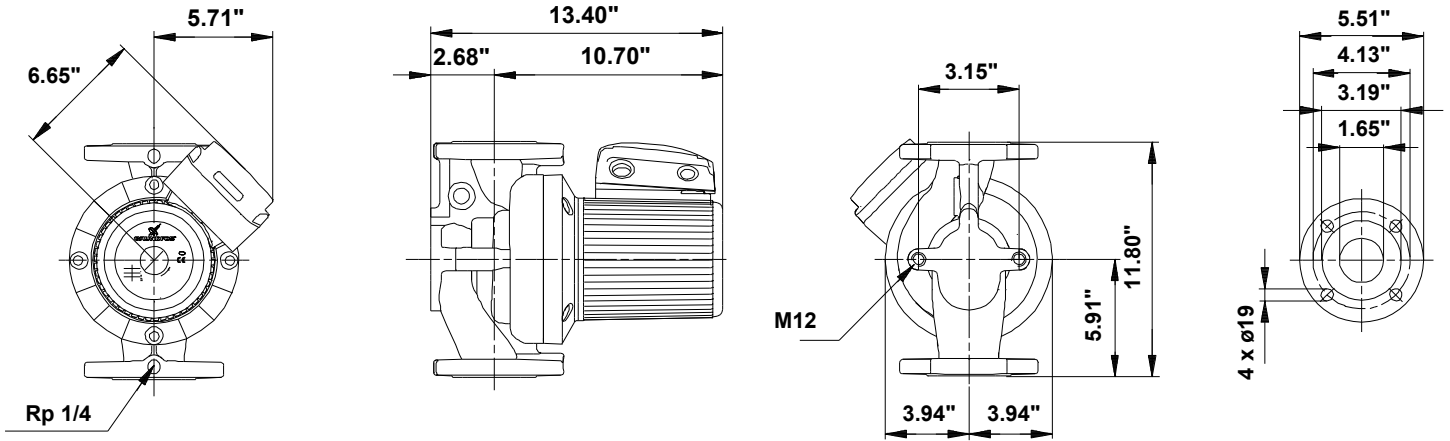
UP 40-160 F

Grundfos UP single-speed circulator pumps are designed for heating systems, while the three-speed UPS circulator pumps are used in central and district heating system while also being suitable for mixing loops in large systems. Both pumps provide reliable and maintenance-free operation.

Note! Product picture may differ from actual product

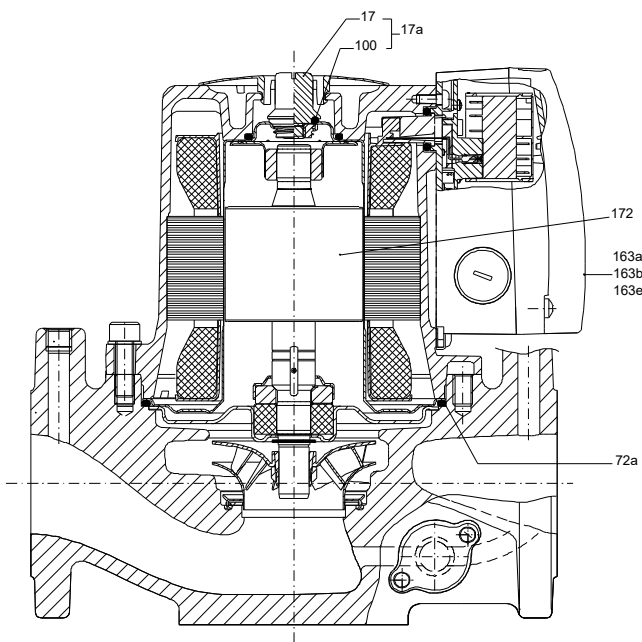
Conditions of Service		Pump Data		Motor Data	
Liquid:	Water	Liquid temperature range:	14 .. 248 °F	Max. power input:	805 W
Temperature:	140 °F	Maximum ambient temperature:	104 °F	Mains frequency:	60 Hz
Specific Gravity:	0.985	Product number:	96436522	Enclosure class:	X4D
				Thermal protection:	EXT.



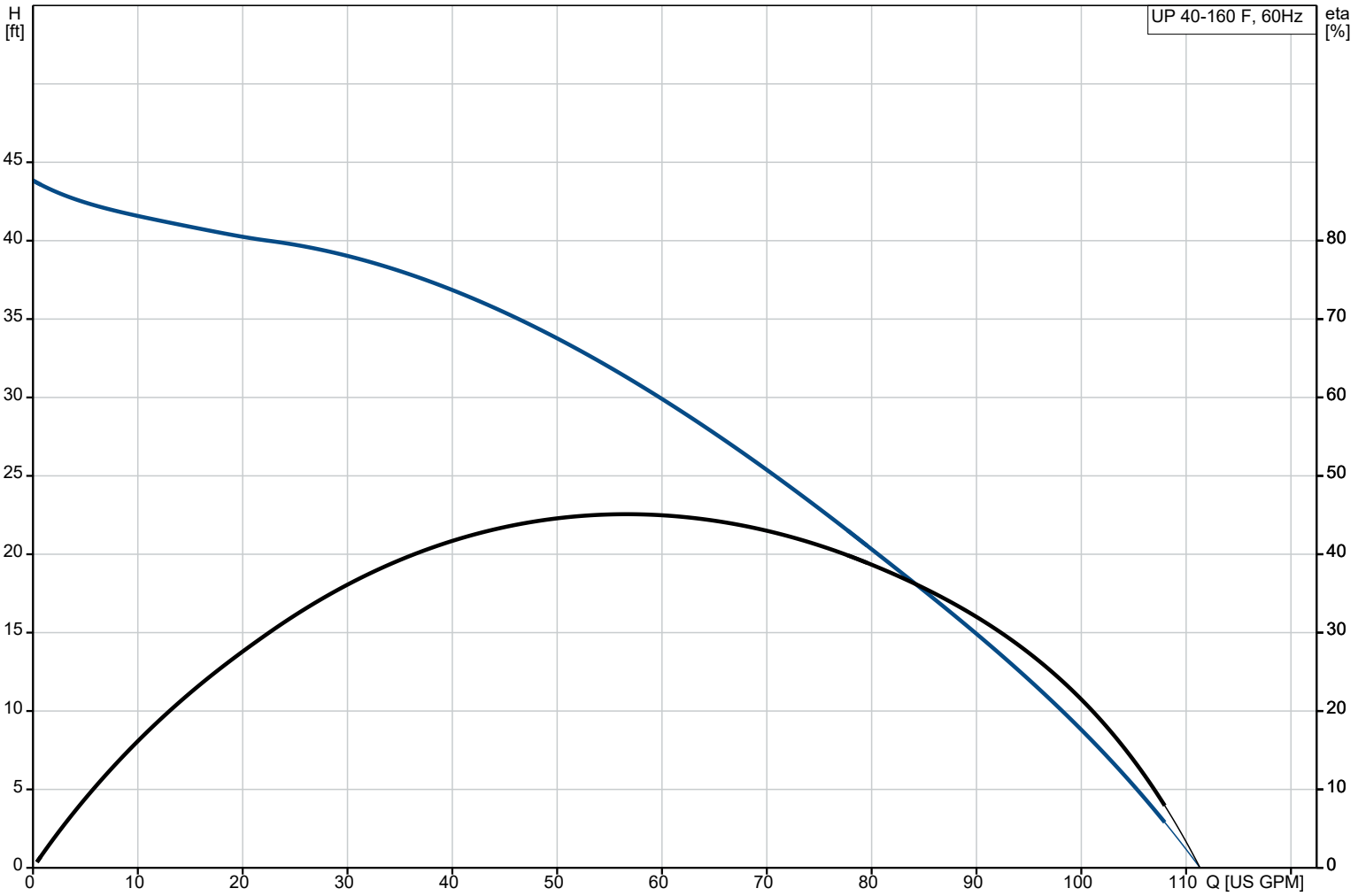


Materials:

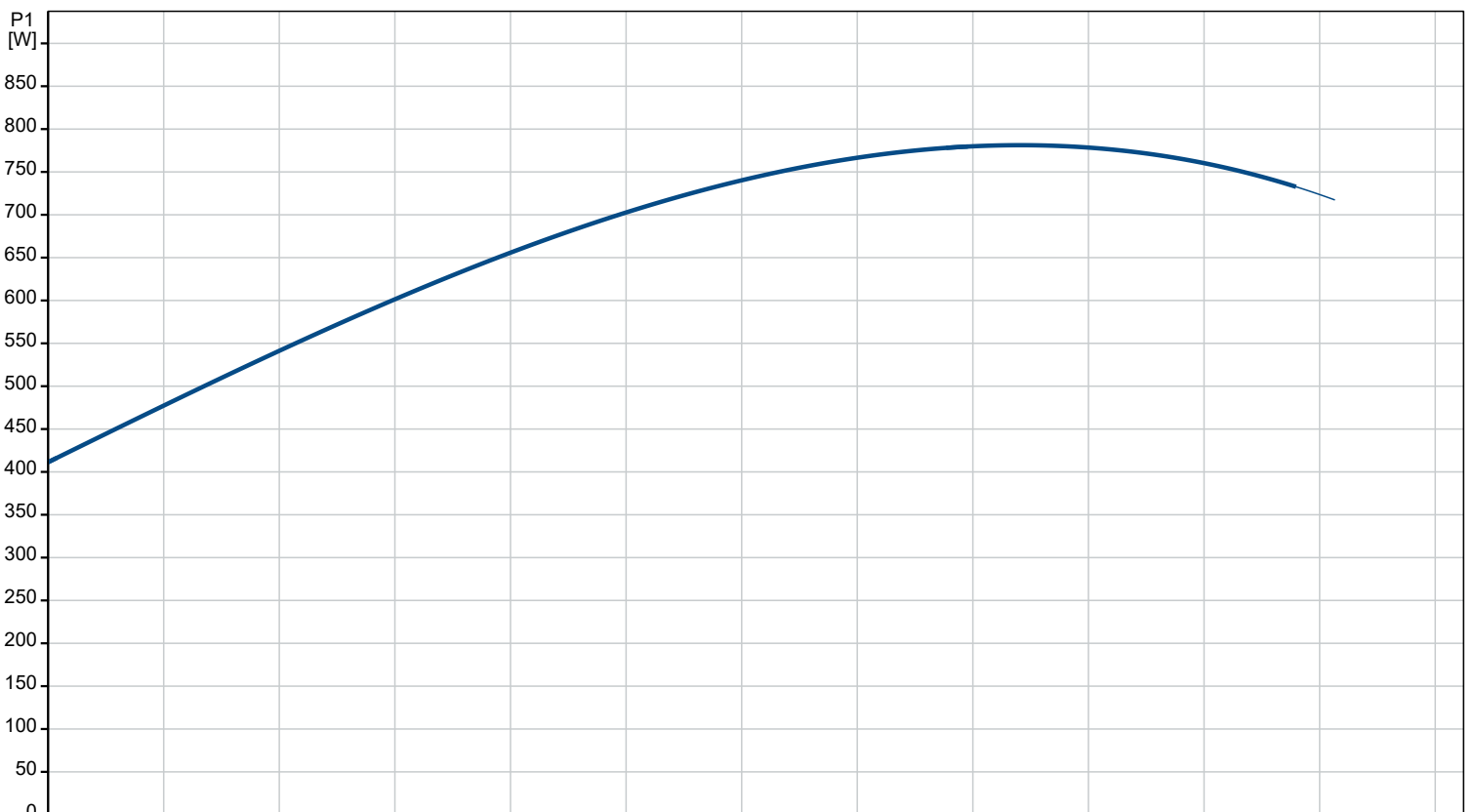
- Pump housing: Cast iron
- Pump housing: ASTM 35 B - 40 B
- Impeller: Stainless steel
- Impeller: AISI 304
- Impeller: EN 1.4301



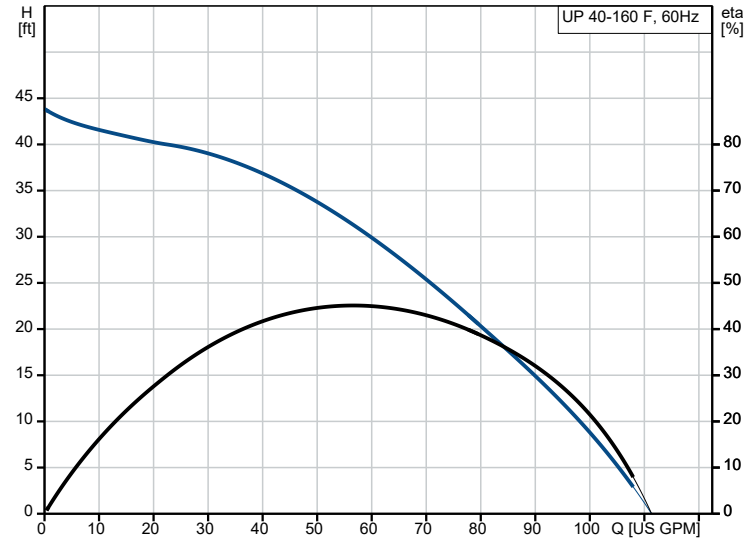
96436522 UP 40-160 F 60 Hz



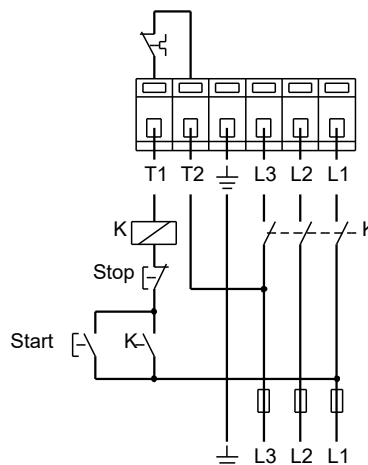
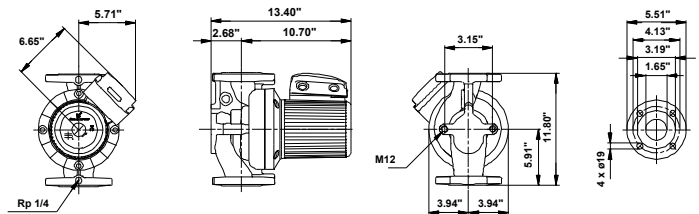
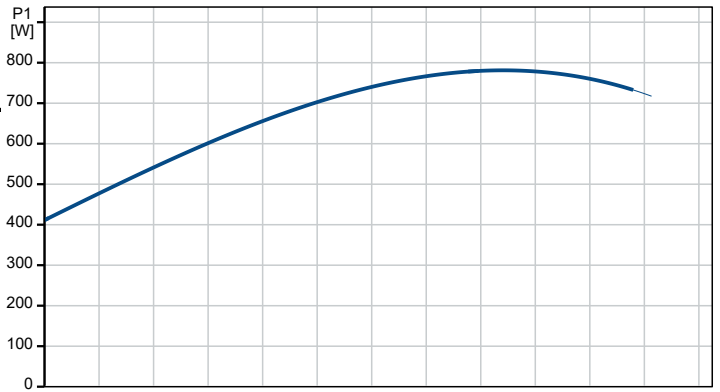
Pumped liquid = Water
Liquid temperature during operation = 140 °F
Density = 61.35 lb/ft³



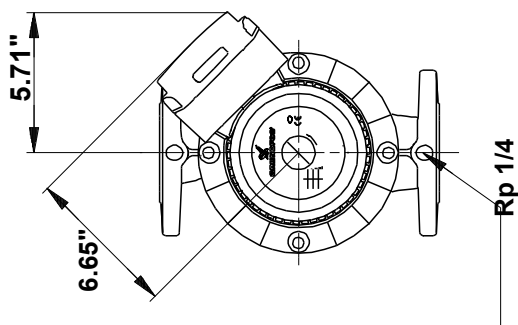
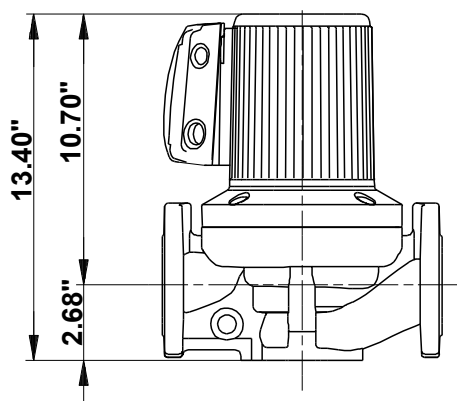
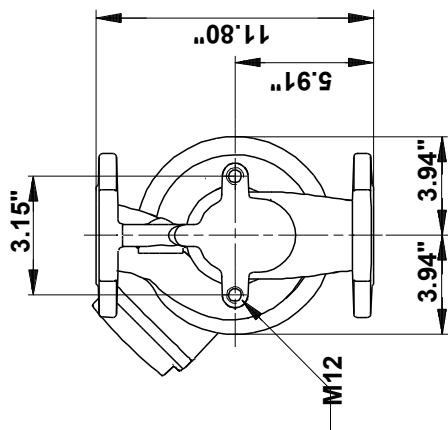
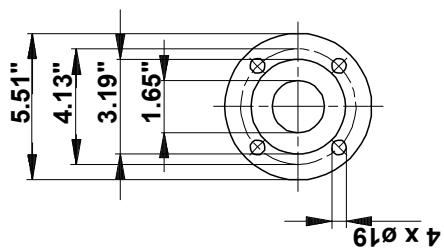
Description	Value
General information:	
Product name:	UP 40-160 F
Product No:	96436522
EAN number:	5700393686748
Technical:	
Speed no:	1
Maximum head:	52.5 ft
Model:	C
Materials:	
Pump housing:	Cast iron
Pump housing:	EN 1561 EN-GJL-250
Pump housing:	ASTM 35 B - 40 B
Impeller:	Stainless steel
Impeller:	EN 1.4301
Impeller:	AISI 304
Installation:	
Range of ambient temperature:	32 .. 104 °F
Maximum operating pressure:	145.04 psi
Type of connection:	JIS
Size of connection:	40 A
Pressure rating for connection:	PN 10
Port-to-port length:	11 13/16 in
Liquid:	
Pumped liquid:	Water
Liquid temperature range:	14 .. 248 °F
Selected liquid temperature:	140 °F
Density:	61.35 lb/ft ³
Electrical data:	
Max. power input:	805 W
Mains frequency:	60 Hz
Rated voltage:	3 x 380 V
Current in speed 3:	1.48 A
Cos phi:	0.83
Insulation class (IEC 85):	H
Enclosure class (IEC 60529):	X4D
Built-in motor protection:	CONTACT
Thermal protec:	EXT.
Controls:	
Relay:	N
Others:	
Terminal box position:	1.30H
Net weight:	50.7 lb
Gross weight:	54 lb
Shipping volume:	1.17 ft ³
Sales region:	Korea



Pumped liquid = Water
 Liquid temperature during operation = 140 °F
 Density = 61.35 lb/ft³



96436522 UP 40-160 F 60 Hz



96436522 UP 40-160 F 60 Hz

